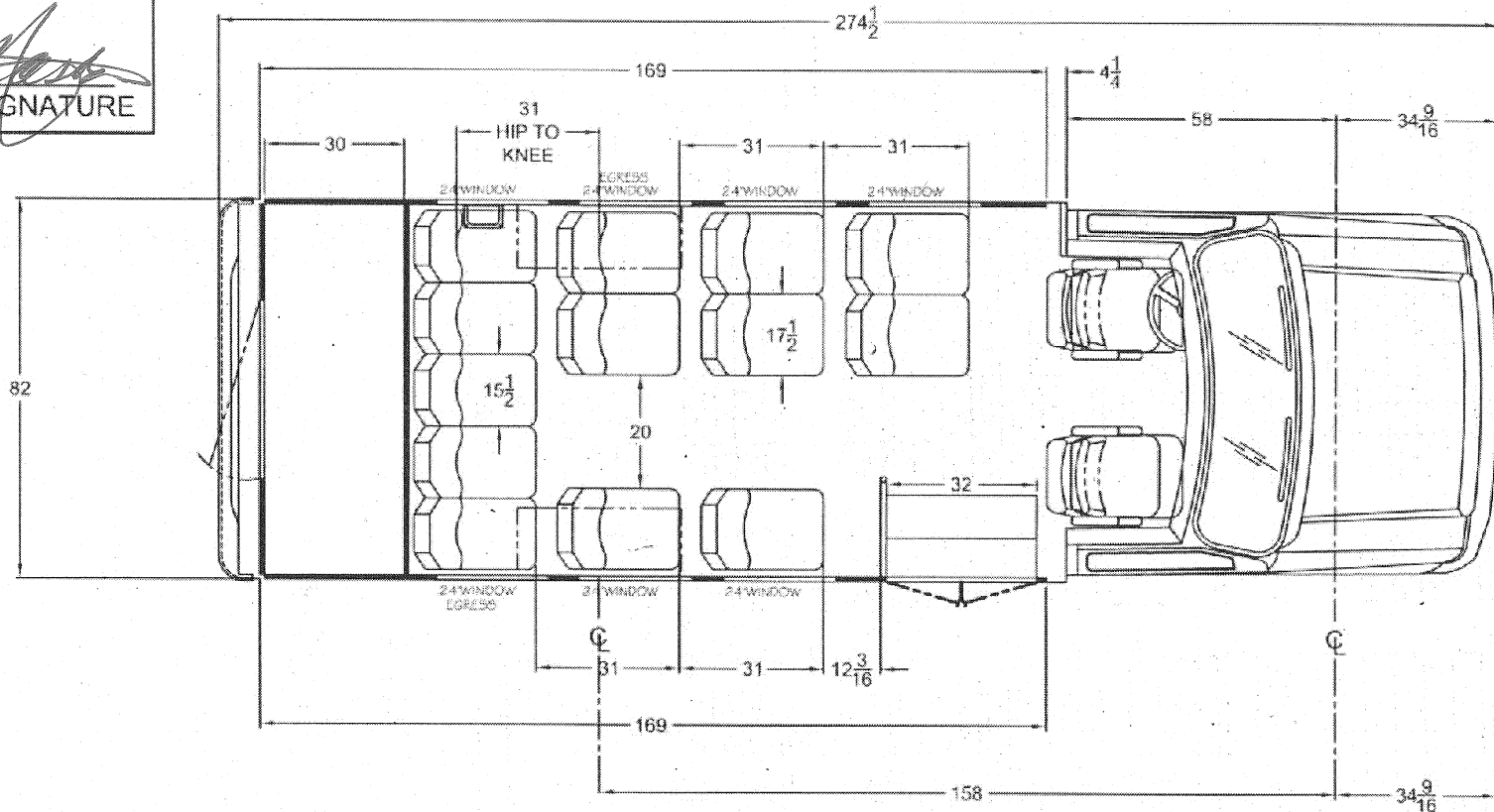


DEALER APPROVAL

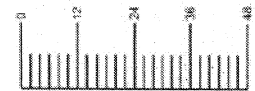
APPROVED

[Handwritten Signature]
CUSTOMER SIGNATURE



E-350 12,500 GVWR

SCALE IN INCHES



24211-24212XP

THIS DRAWING AND THE INFORMATION THEREON ARE THE EXCLUSIVE PROPERTY OF STARCRAFT BUS, A DIVISION OF FOREST RIVER. IT SHALL NOT BE COPIED OR DUPLICATED IN ANY MANNER, NOR SHALL IT BE SUBMITTED TO OUTSIDE PARTIES FOR EXAMINATION WITHOUT OUR WRITTEN CONSENT. IT IS LOANED FOR USE WITH REFERENCE TO WORK UNDER CONTRACT WITH, OR PROPOSALS SUBMITTED TO STARCRAFT BUS, A DIVISION OF FOREST RIVER.

REV.	DESCRIPTION OF CHANGE	BY	CHK	DATE	ECN No.
1.1					

TOLERANCE UNLESS OTHERWISE SPECIFIED:		STARCRRAFT BUS a division of Forest River, Inc.		TITLE: 15 PASS. NEAR LUGGAGE 158" WB DRW 23' XPRESS PROTO	
WOOD	OTHER	DATE: 10/26/10	NAME: T.A.S.	DWG. No.:	12 PASS 158 169
± 1/8"	± 1/16"				
± 1"	± 1/2"				